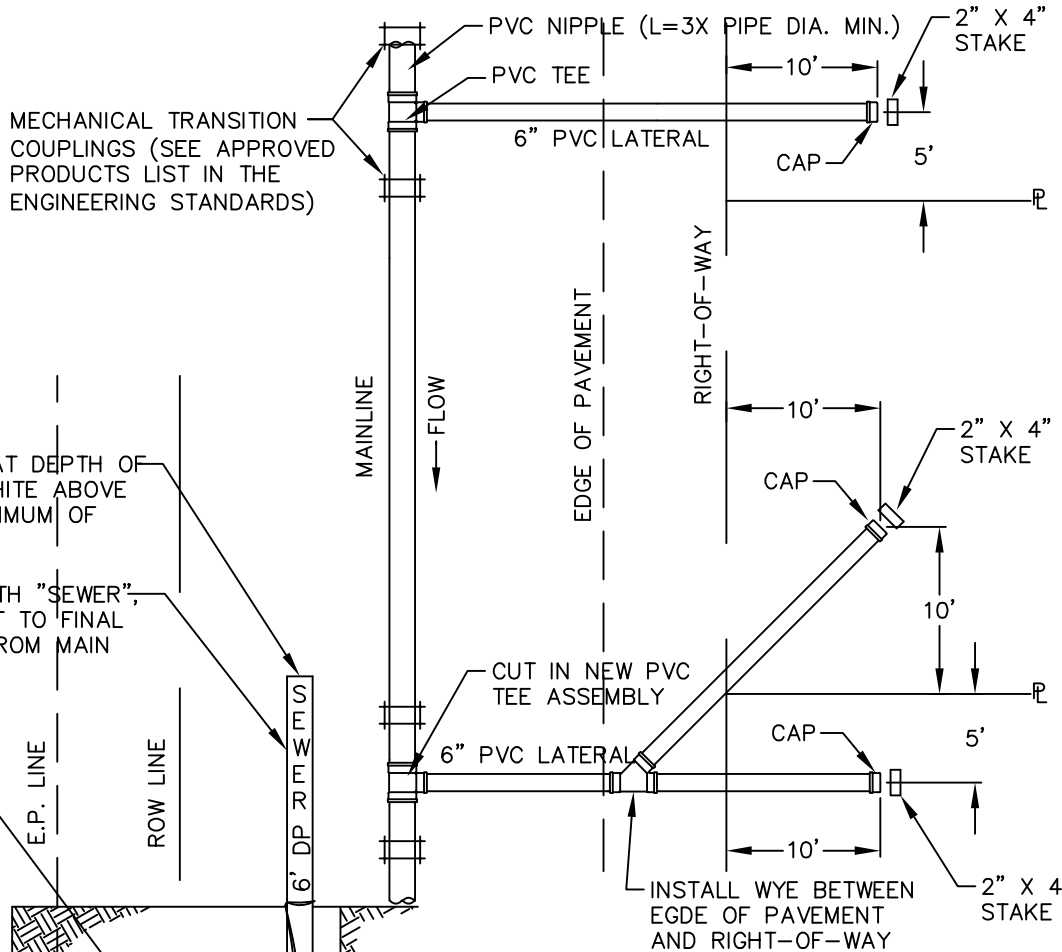


SINGLE SERVICE



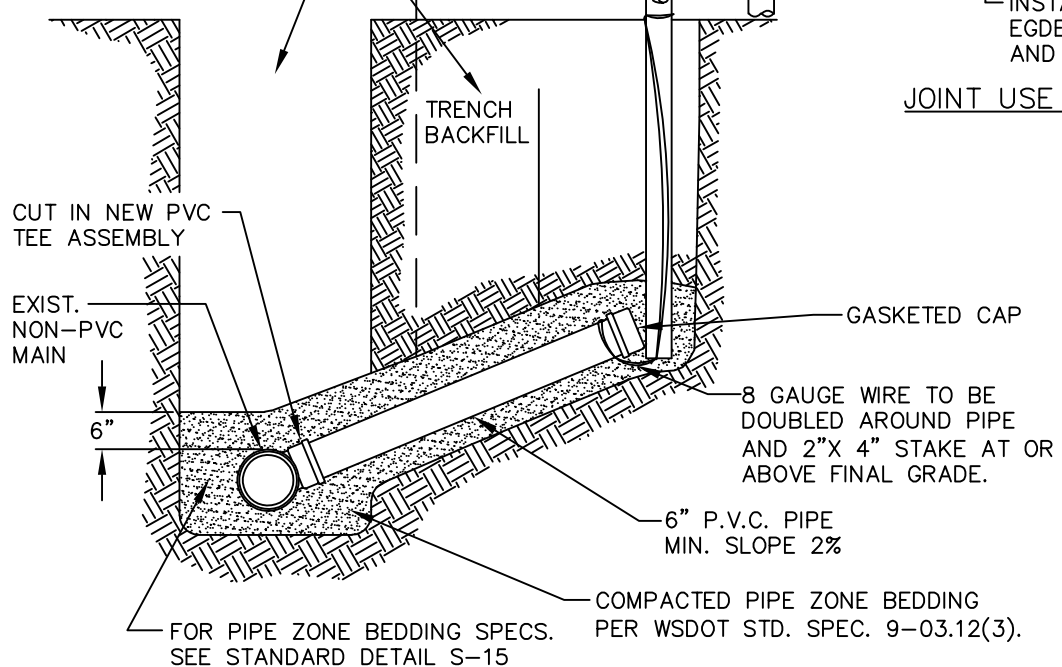
2" X 4" STAKE BURIED AT DEPTH OF PIPE INVERT, PAINTED WHITE ABOVE GROUND. EXTEND A MINIMUM OF 3 FEET ABOVE GRADE.

MARK 2" X 4" STAKE WITH "SEWER", DEPTH FROM PIPE INVERT TO FINAL GRADE, AND DISTANCE FROM MAIN TO END OF LATERAL.

FOR TRENCH SPECS. SEE STANDARD DETAIL S-14

MECHANICAL TRANSITION COUPLINGS (SEE APPROVED PRODUCTS LIST IN THE ENGINEERING STANDARDS)

JOINT USE SERVICE



- NOTES:**
1. WHERE SIDE SEWER CONNECTS TO MANHOLE: INVERT OF SIDE SEWER SHALL BE EQUAL TO OR ABOVE MAIN SEWER CROWN, BUT NOT TO EXCEED 18" ABOVE INVERT OF MAIN SEWER. UNLESS OTHERWISE INDICATED ON PLAN, SIDE SEWER SHALL BE MINIMUM OF 6' DEEP AT PROPERTY LINE, OR 5' LOWER THAN THE LOWEST ELEVATION, WHICHEVER IS LOWER.
 2. PIPE CAN BE REDUCED TO 4" DIAMETER 10' BEYOND THE ROW LINE.
 3. SEWER BYPASS PLAN MUST BE APPROVED BY UTILITIES PRIOR TO BEGINING EXCAVATION.



City of Bellevue

SEWER UTILITIES

TITLE
 NEW PVC SIDE SEWER LATERAL
 ON EXISTING NON-PVC MAIN