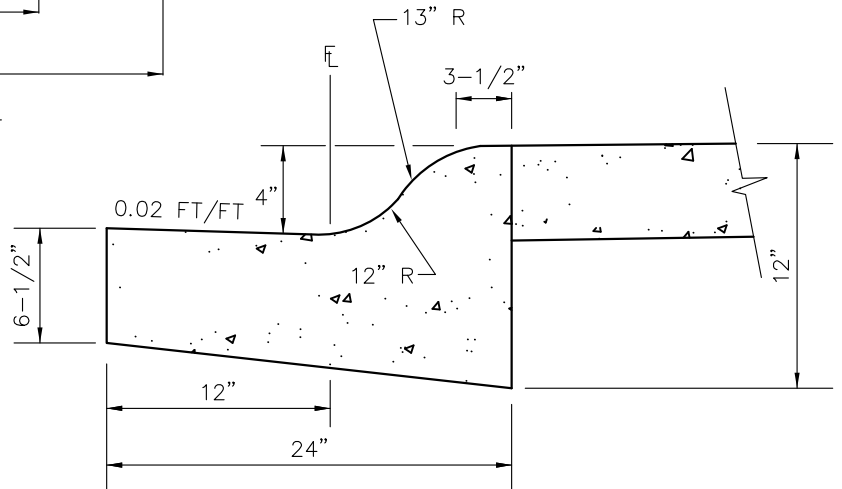
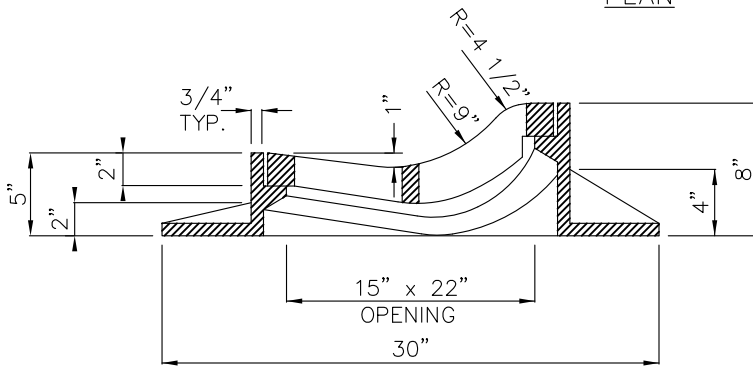


PLAN



NOTES:

1. FRAME MATERIAL IS CAST IRON ASTM A48 CLASS 30.



City of Bellevue

STORM AND SURFACE WATER UTILITY

TITLE

FRAME & GRATE FOR EXISTING ROLLED CURB