

SECTION VIEW

OFFSET FRAME SO THAT TEE IS VISIBLE AT EDGE OF OPENING AND DIRECTLY OVER THE STEPS

FRAME AND GRATE OR RING AND COVER

MAX. DESIGN WSE

36" DIAMETER ALUMINUM CMP CENTERED AROUND OUTLET OPENING, SEE DETAIL

9/16" HOLES FOR 1/2" ANCHORS

INLET PIPE

OUTLET PIPE

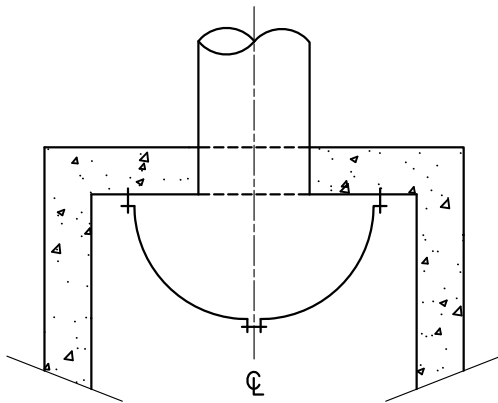
D=18"

3/16"x3" ALUMINUM FLAT BAR FULLY WELDED WELDED TO HALF ROUND

T-SECTION

54" MIN.

HALF ROUND DETAIL
PLAN VIEW



NOTES:

1. ALL METAL PARTS AND SURFACES MUST BE CORROSION RESISTANT. STEEL HARDWARE SHALL BE GALVANIZED. PIPES SHALL BE GALVANIZED, ASPHALT COATED (TREATMENT 1) OR ALUMINIZED. COMPLETE CORROSION PROTECTION MUST BE ASSURED.
2. APPLY NON-SHRINK GROUT TO INSIDE AND OUTSIDE OF JOINTS, RINGS, RISERS AND FRAMES.
3. TYPE 3 SC SEPARATOR CAN BE USED AS AN ALTERNATE TO STANDARD DETAIL D-43 SC SEPARATOR TYPE 2 WHEN A TYPE 2 WILL NOT WORK DUE TO EXISTING CONSTRAINTS.
3. FASTEN HALF ROUND TO CATCH BASIN WALL QUICK BOLTS.



**City of
Bellevue**

STORM AND SURFACE
WATER UTILITY

TITLE

SPILL CONTROL (SC) SEPARATOR
TYPE 3