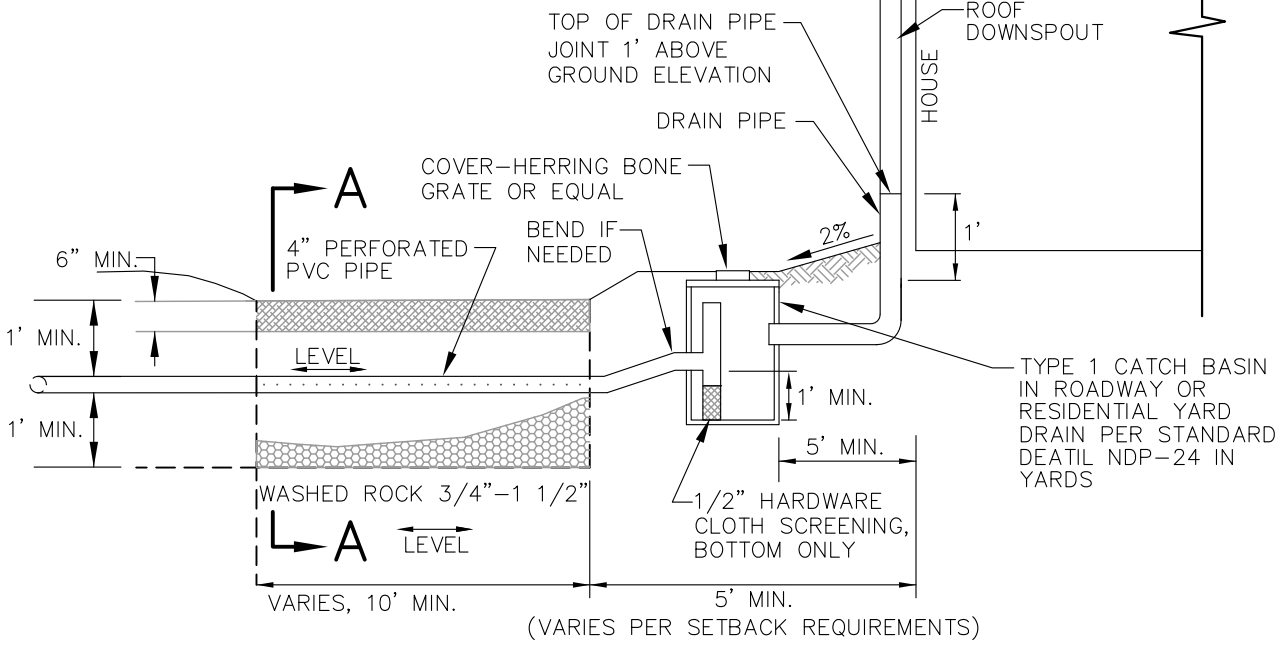
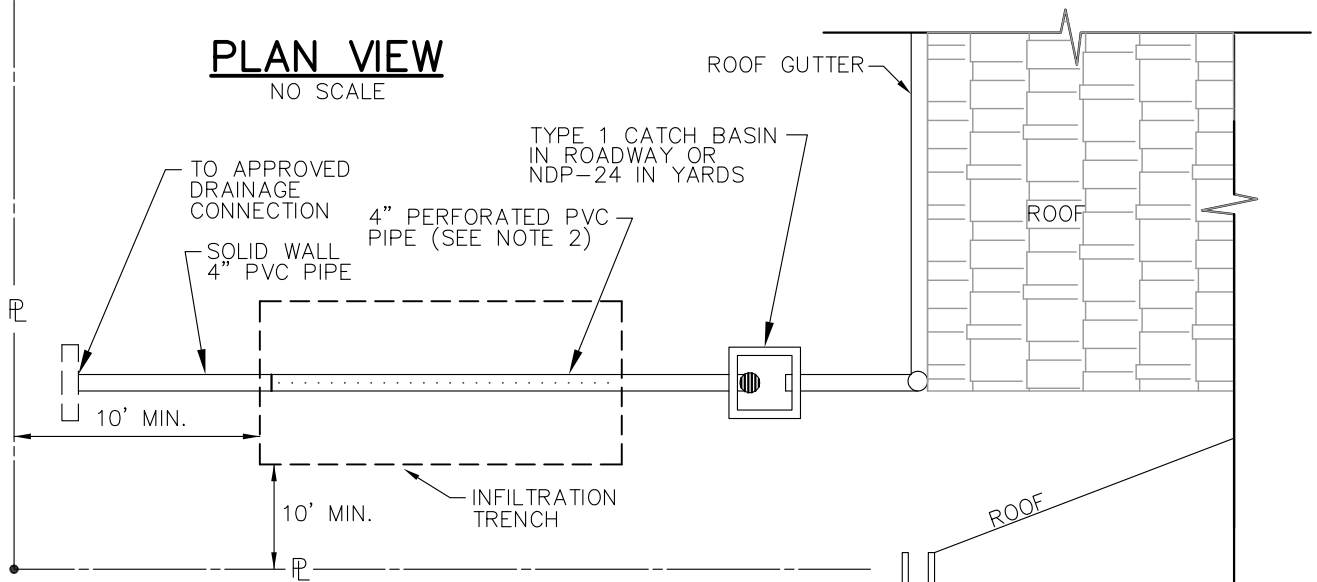


PLAN VIEW

NO SCALE

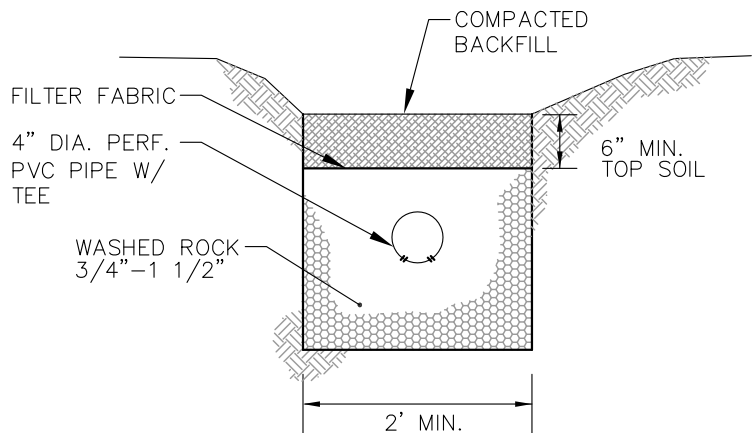


PROFILE VIEW

NO SCALE


NOTES:

1. TRENCH SHALL NOT BE LOCATED WITHIN 100' OF A WELL OR 30' FROM ANY PART OF A SEPTIC SYSTEM.
2. CENTER PERF. PIPE HORIZONTALLY IN TRENCH.
3. NOT TO BE USED IN CRITICAL AREA BUFFERS OR STEEP SLOPES > 25%.



SECTION A-A

NO SCALE

	City of Bellevue	STORM AND SURFACE WATER UTILITY
	TITLE	RESIDENTIAL ROOF DOWNSPOUT PERFORATED PIPE CONNECTION
		NO. NDP-25