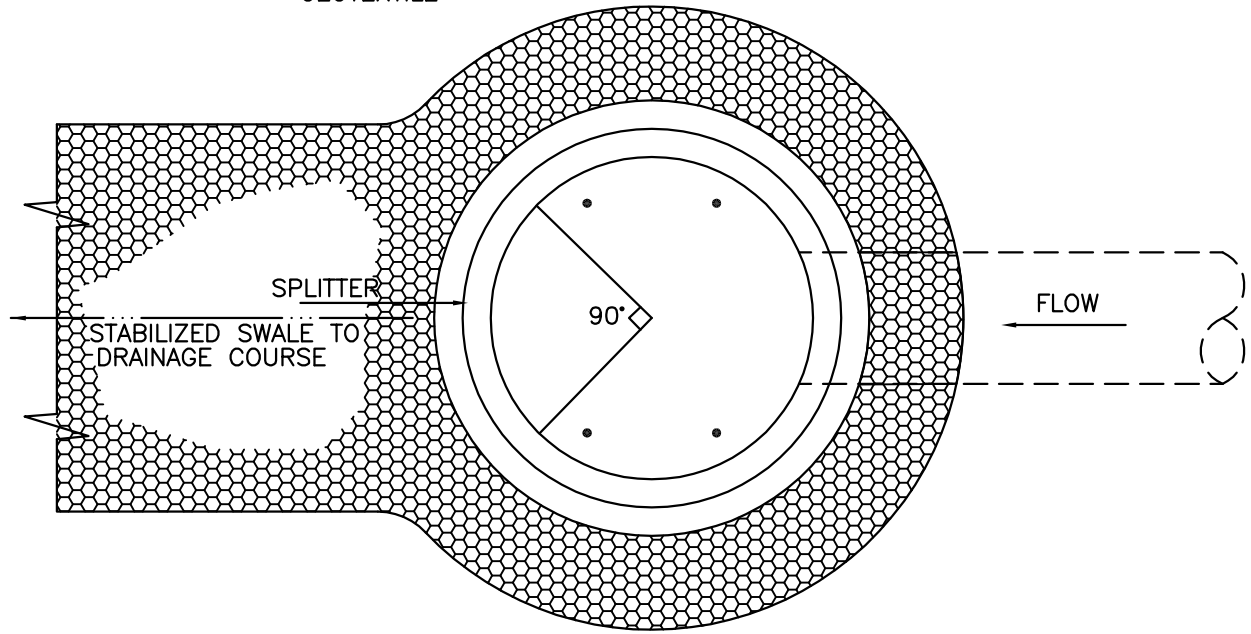



ELEVATION



PLAN

INLET PIPE SIZE "D"	BASE HEIGHT "H"
8"	2'
12"	3'
18"	3'
24"	4'

	<h1>City of Bellevue</h1>	STORM AND SURFACE WATER UTILITY
	TITLE  <h2>ENERGY DISSIPATOR</h2>	