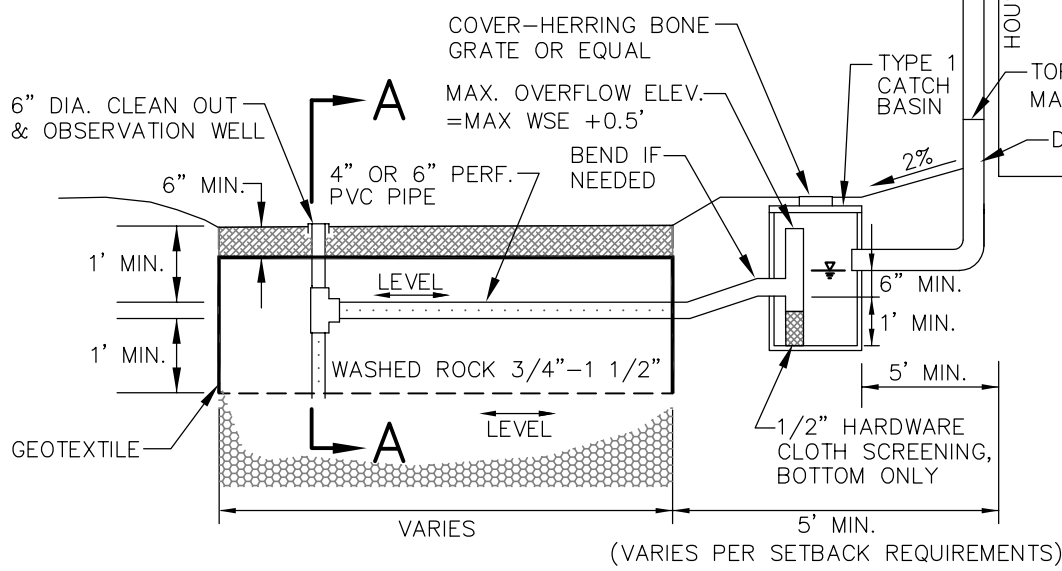
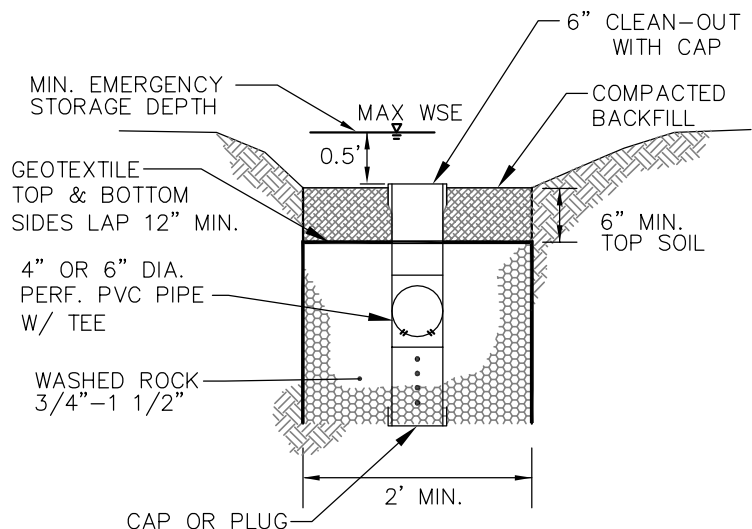


PLAN VIEW
NO SCALE




PROFILE VIEW
NO SCALE



SECTION A-A
NO SCALE

NOTES:

1. TRENCH SHALL NOT BE LOCATED WITHIN 100' OF A WELL OR 30' FROM ANY PART OF A SEPTIC SYSTEM.
2. CENTER PERF. PIPE HORIZONTALLY IN TRENCH.
3. REMOVE SEDIMENT AND FLOATABLES FROM TYPE 1 CATCH BASIN AT LEAST ANNUALLY.

	<p>City of Bellevue</p>	<p>STORM AND SURFACE WATER UTILITY</p>
<p>TITLE</p> <p style="text-align: center;">ROOF DOWNSPOUT INFILTRATION TRENCH</p>		
		<p>NO. NDP-23</p>