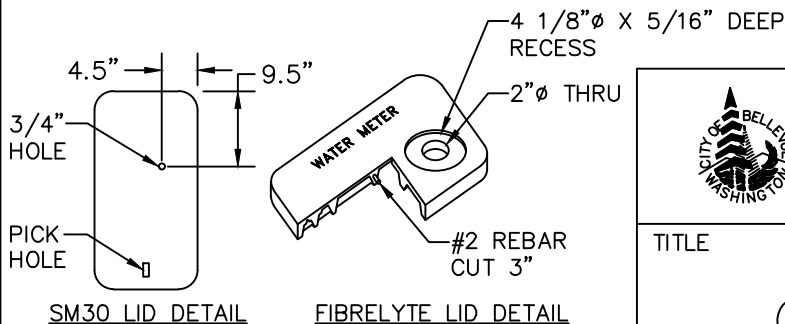


HORIZONTAL METER SETTER INSTALLATION

- (A) EPOXY OR NYLON COATED HIGH TENSILE D.I. SERVICE SADDLE W/ STAINLESS STEEL STRAP AND EPOXY COATED BOSS, 1" AWWA TAPER (CC) TAP, FORD FC101 OR APPROVED EQUAL, SIZE AS REQUIRED.
- (B) BALL CORPORATION STOP, 1" AWWA TAPER (CC) INLET BY 1" PACK JOINT (COMPRESSION FITTING) FOR COPPER OUTLET, FORD FB1000-4, MUELLER NO. B-25008, OR APPROVED EQUAL.
- (C) 1" COPPER TUBING, TYPE K.
- (D) COUPLING, 1" MALE IRON PIPE THREAD BY 1" PACK JOINT (COMPRESSION FITTING) FOR COPPER, FORD C84-44, MUELLER NO. H-15428, OR APPROVED EQUAL.
- (E) 1" METER SETTER WITH DOUBLE (DUAL) PURPOSE COUPLINGS AND ANGLE METER VALVE (ANGLE STOP) WITH PADLOCK WINGS, FORD V74-12W, MUELLER 1" NO. H-1404 X 12 WITH MULTIPURPOSE CONNECTION NO. H-14222, A.Y. MCDONALD 20-412WXDD44, OR APPROVED EQUAL.
- (F) METER BOX, EQUAL TO:
CARSON INDUSTRIES 1527-18 BCFXL METER BOX WITH OLDCASTLE #02001437, FIBRELYTE FL1527P, SOLID BLACK LID WITH EMBEDDED REBAR, MARKED "WATER METER", 4 1/8" X 5/16" RECESS, 2" HOLE, OR APPROVED EQUAL. OLYMPIC FOUNDRY SM30, OR APPROVED EQUAL, IN SIDEWALK AND IN AREAS WITH VEHICULAR TRAFFIC. LID TO HAVE 3/4" HOLE DRILLED THROUGH FOR AMR, SEE LID DETAIL BELOW.
- (G) 2" PLASTIC AMR PLUG, FORD METER BOX CO. MODEL PTP-BR-3-25 IF OLDCASTLE LID IS USED.

NOTES:

1. SERVICE LINE SHALL BE PERPENDICULAR TO THE WATERMAIN, UNLESS OTHERWISE APPROVED BY THE ENGINEER.
2. SERVICE SADDLE INSTALLED AT CONTRACTOR'S OPTION ON CLASS 52 OR THICKER D.I. PIPE, THE CORP. STOP MAY BE TAPPED DIRECTLY INTO THE PIPE.
3. APPROVED BACKFLOW PREVENTION MUST BE INSTALLED WITH IRRIGATION SERVICE PER D.O.H. REQUIREMENTS. IRRIGATION SYSTEM SHALL NOT BE PUT INTO SERVICE UNTIL THE BACKFLOW PREVENTION DEVICE IS APPROVED BY A CITY OF BELLEVUE WATER QUALITY TECHNICIAN.
4. METER WILL BE SUPPLIED AND INSTALLED BY THE CITY OF BELLEVUE.



City of
Bellevue

WATER UTILITY

TITLE

1" x 1" WATER SERVICE
(HORIZONTAL METER SETTER)