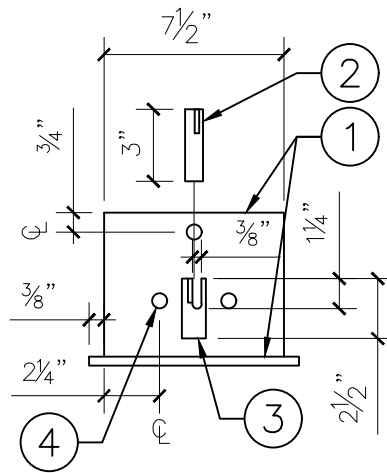
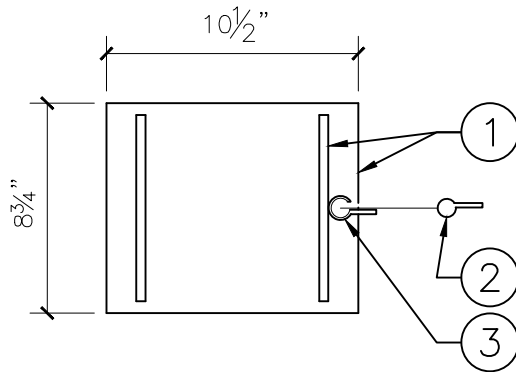


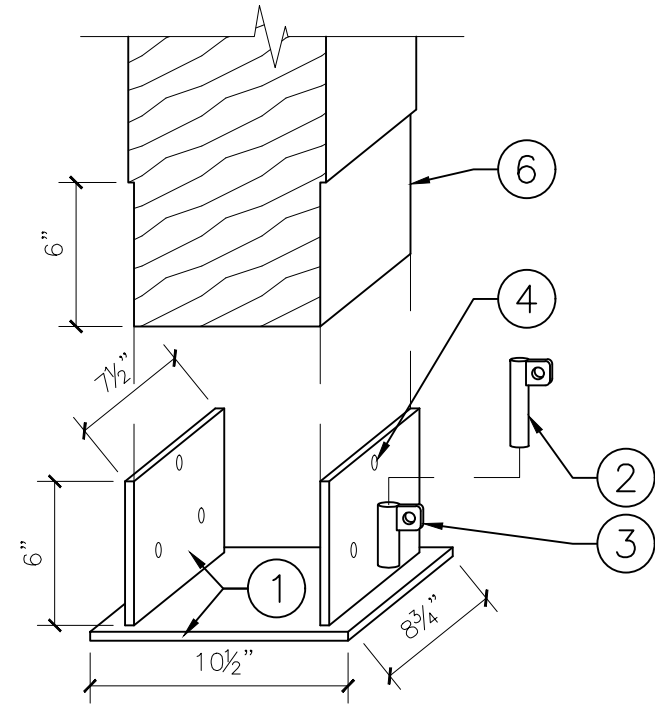
FRONT VIEW



SIDE VIEW



PLAN VIEW



ISOMETRIC VIEW - N.T.S.

- ① 3/8" THICK GALV. STEEL PLATE
- ② REMOVABLE PIN: 3/4" DIA. GALV. STEEL ROD
- ③ PIN RECEIVER: 1" DIA. x 1/8" THICK GALV. STEEL PIPE WITH 3/8" NOTCH TO RECEIVE PIN
- ④ (6) 5/8" DIA. HOLES
- ⑤ 1/2" DIA. HOLE TO RECIEVE PAD LOCK
- ⑥ INCISE BOLLARD 1/4" TO FIT INSIDE BRACKET



City of  
Bellevue

TITLE:

**COAL CREEK NATURAL AREA - SIGN - DIRECTIONAL BOLLARD  
- REMOVABLE - SLIDE THROUGH BRACKET DETAIL**

DRAWING #:	PK-CC-04B
SCALE:	N.T.S.
REVISION DATE:	12-2018
DEPARTMENT:	PARKS