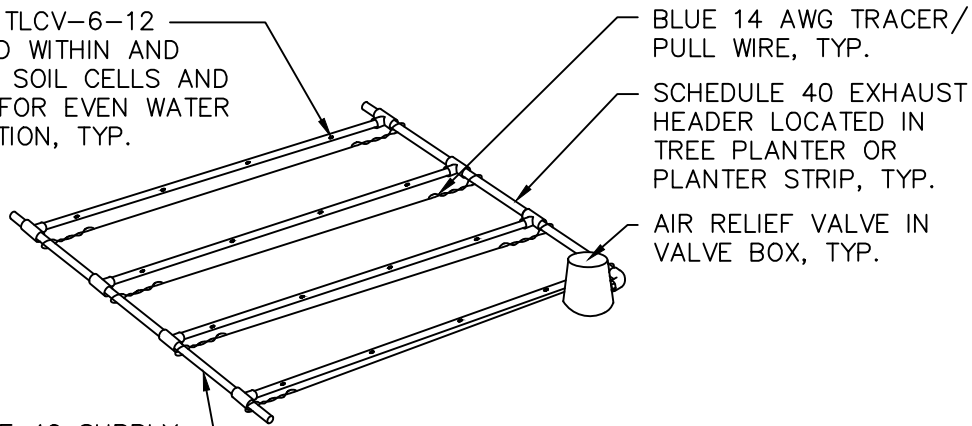


NETAFIM TLCV-6-12
CENTERED WITHIN AND
BETWEEN SOIL CELLS AND
SPACED FOR EVEN WATER
DISTRIBUTION, TYP.



SCHEDULE 40 SUPPLY
HEADER LOCATED IN
TREE PLANTER OR
PLANTER STRIP, TYP.

ISOMETRIC

BLUE 14 AWG TRACER/
PULL WIRE, TYP.

SCHEDULE 40 EXHAUST
HEADER LOCATED IN
TREE PLANTER OR
PLANTER STRIP, TYP.

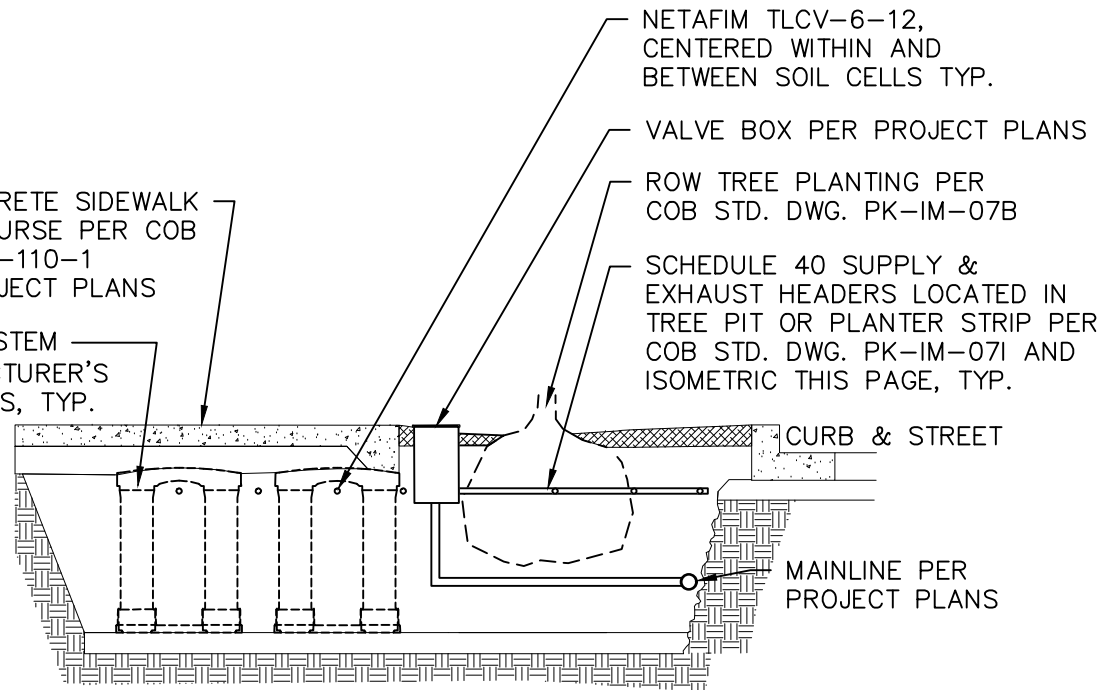
AIR RELIEF VALVE IN
VALVE BOX, TYP.

NOTES:

1. SEE COB STD. DWGS PK-IM-07F AND PK-IM-07G FOR SOIL CELLS.
2. SEE COB STD. DWG. PK-IM-07I FOR IRRIGATION LAYOUT FOR TREE SOIL CELLS WITH TREE PLANTERS AND PLANTER STRIP.
3. SEE MANUFACTURER'S GUIDELINES FOR MAXIMUM LENGTH OF LATERALS.
4. ADJUST IRRIGATION FOR PROPOSED SOIL CELL LAYOUT.

CEMENT CONCRETE SIDEWALK
AND BASE COURSE PER COB
STD. DWG. SW-110-1
AND PER PROJECT PLANS

SOIL CELL SYSTEM
PER MANUFACTURER'S
SPECIFICATIONS, TYP.



SECTION A



City of
Bellevue

TITLE:

DRIP IRRIGATION AT TREE SOIL CELLS

DRAWING #:	PK-IM-07H
SCALE:	N.T.S.
REVISION DATE:	08-2020
DEPARTMENT:	PARKS



Standard detail revised with support
of King Conservation District