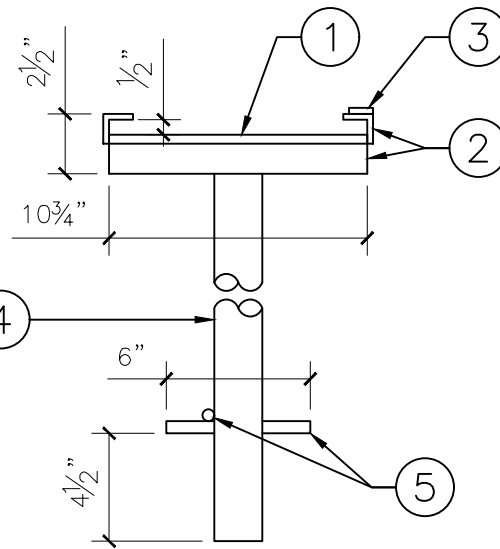
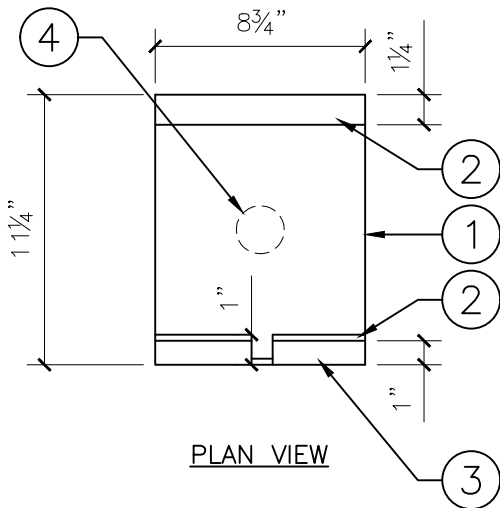


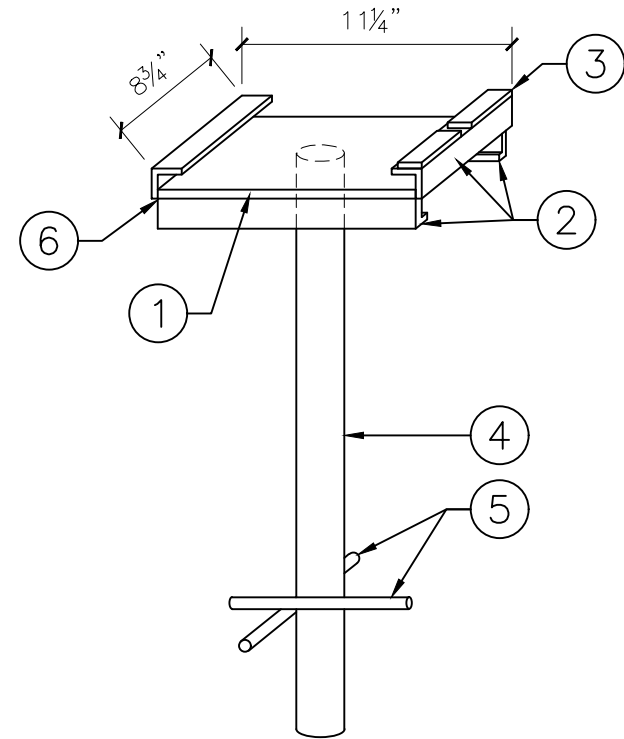
SIDE VIEW



FRONT VIEW



PLAN VIEW



ISOMETRIC VIEW - N.T.S.

- ① 3/8" THICK GALV. STEEL PLATE
- ② 1/4"x1 1/4"x1 1/4" GALV. ANGLE IRON
- ③ 1/4"x1" GALV. STEEL BAR
- ④ 2" DIA. SCH 40 GALV. STEEL POST
- ⑤ 1/2" DIA. GALV. STEEL ROD
- ⑥ FINISHED GRADE OF HARDSURFACE PAVEMENT



City of
Bellevue

TITLE:

**SIGN - DIRECTIONAL BOLLARD - REMOVABLE -
ANCHOR DETAIL**

| | |
|----------------|-----------|
| DRAWING #: | PK-SI-14C |
| SCALE: | N.T.S. |
| REVISION DATE: | 12-2018 |
| DEPARTMENT: | PARKS |