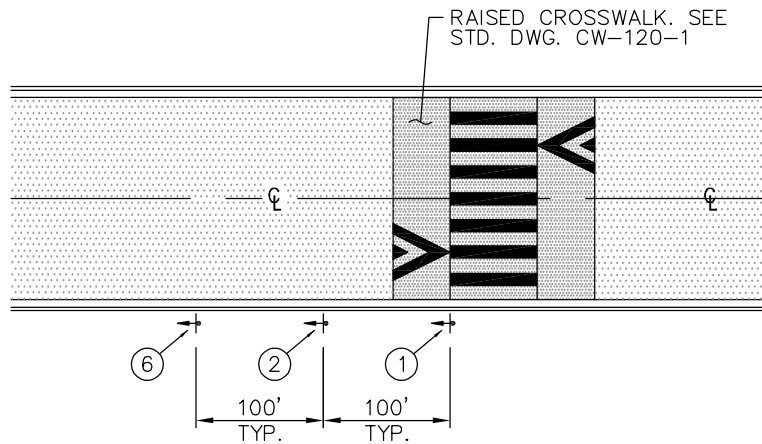
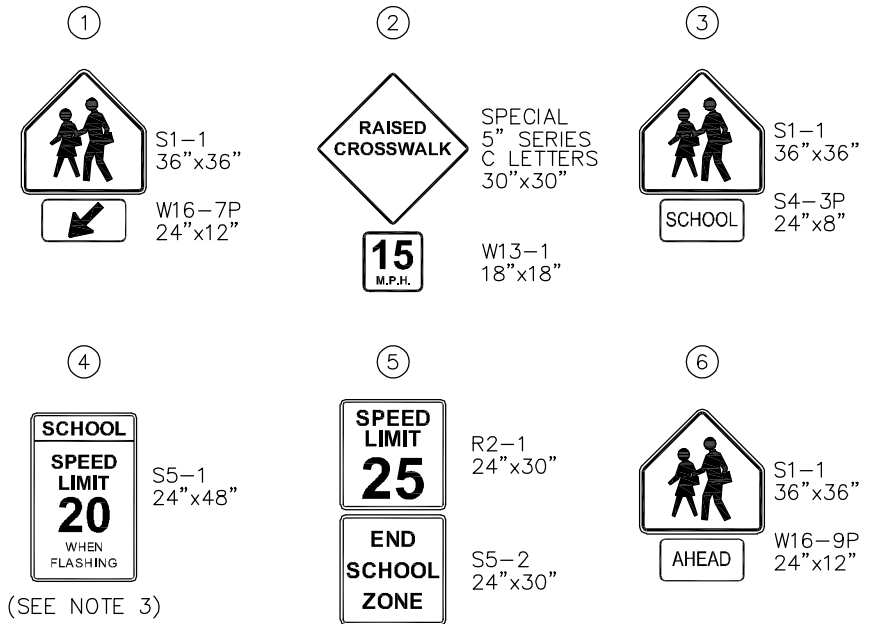


WITHIN SCHOOL SPEED ZONE



OUTSIDE SCHOOL SPEED ZONE



NOTES:

1. SIGN COMBINATIONS ①, ②, ③, ⑥, THE "SCHOOL" LEGEND ON SIGN ④ AND ANY ADDITIONAL PLAQUES SHALL BE FLUORESCENT YELLOW-GREEN WITH BLACK LEGEND AND BORDER.
2. SIGN SPACING MAY BE ADJUSTED TO REFLECT SITE CONDITIONS AND SHALL BE APPROVED BY THE ENGINEER.
3. IN SCHOOL SPEED ZONES WITHOUT FLASHING BEACONS, USE BOTTOM MESSAGE "WHEN CHILDREN ARE PRESENT" OR AS DIRECTED BY THE ENGINEER.
4. IF ROADWAY BORDERS A SCHOOL, THIS DISTANCE MAY INCREASE AS PER RCW 46.61.440.



City of Bellevue

RAISED SCHOOL CROSSWALK SIGNING

| | |
|----------------|----------|
| DRAWING NUMBER | CW-160-1 |
| SCALE | NONE |
| REVISION DATE | 2/22 |
| DEPARTMENT | TRANS |