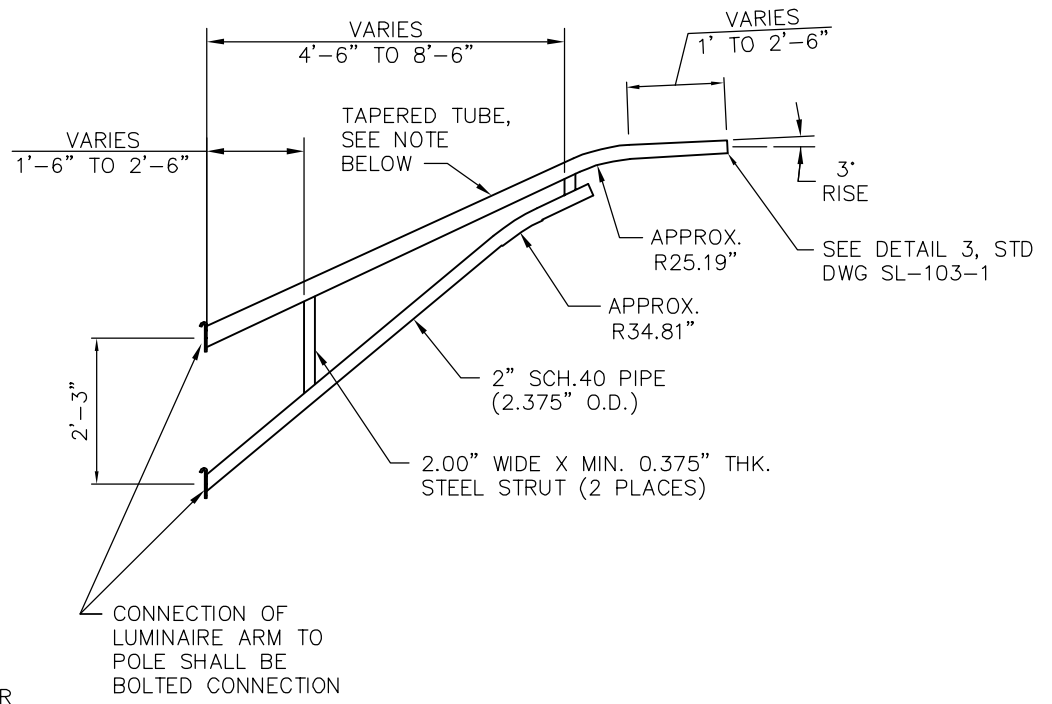


DETAIL 1 - POLE BASE



DETAIL 2 - LUMINAIRE ARM

NOTE: TAPERED TUBE HAS CROSS-SECTION OF 4.00"x2.75" (LONGER DIMENSION VERTICAL) AT CONNECTION TO POLE AND TAPERS TO A 2.75" O.D. CROSS-SECTION, THEN CONTINUES TO TAPER TO AN O.D. OF APPROX. 2.40". SEE DETAIL 3, STD DWG SL-103-1 FOR ARM END DIMENSIONS.



STEEL ROADWAY LIGHTING POLE DETAILS
(SMALL WIRELESS FACILITY COMPATIBLE)

DRAWING NUMBER	SL-102-1
SCALE	NONE
REVISION DATE	6/21
DEPARTMENT	TRANS