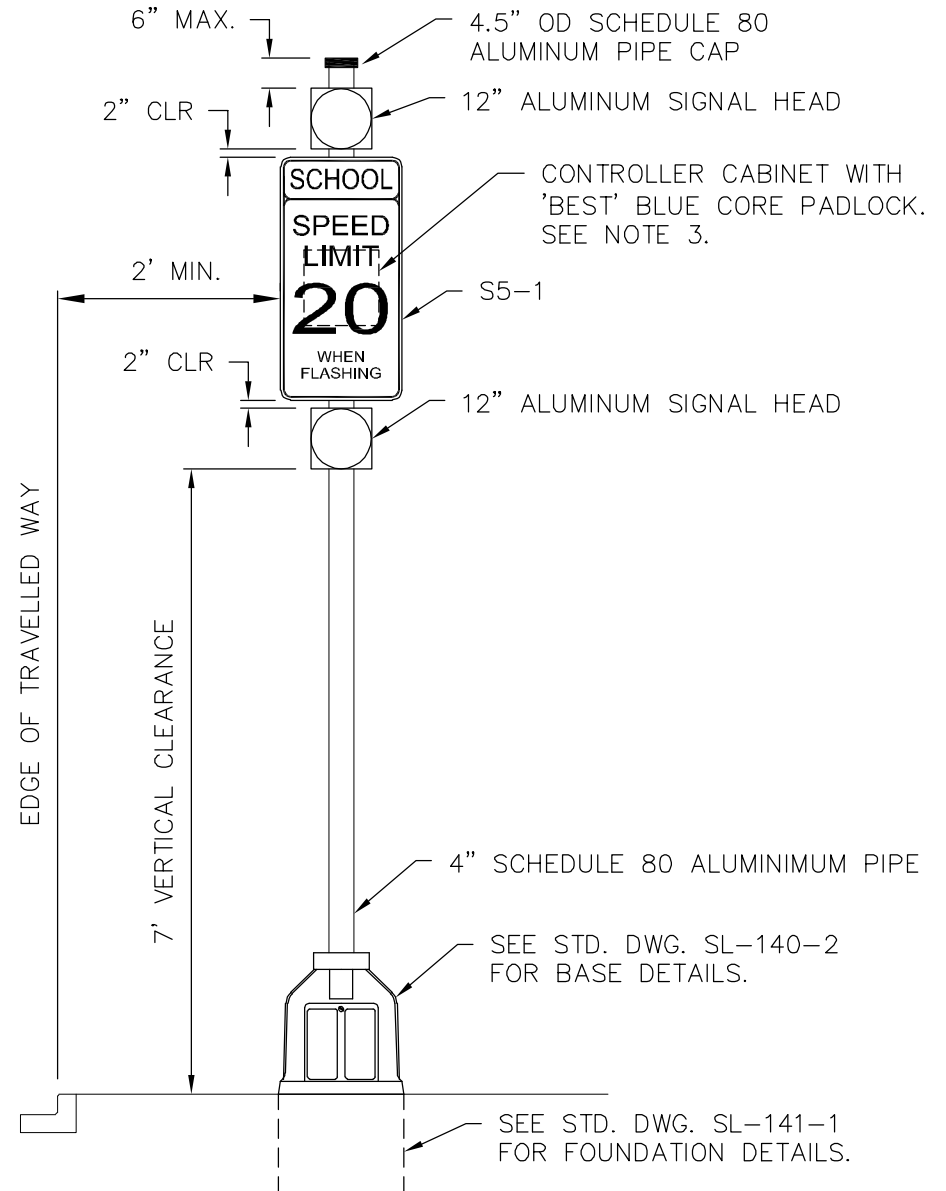


NOTES:

1. SEE CONTRACT PLANS AND SPECIFICATIONS FOR POLE HEIGHT, SIGN SIZES, SHEETING TYPE, AND OTHER DETAILS.
2. REFER TO THE CURRENT BELLEVUE SPECIAL PROVISIONS FOR APPROVED SCHOOL ZONE FLASHING BEACON COMPONENTS.
3. THE PREFERRED PLACEMENT OF THE CONTROLLER CABINET HOUSING THE SCHOOL ZONE FLASHING BEACON CONTROLLER IS BEHIND THE SCHOOL SPEED LIMIT SIGN (S5-1).
4. POLE, POLE BASE, POLE CAP, SIGN BACKS, BANDING, AND CONTROLLER CABINET SHALL BE POWDER COATED "BLACK" (RAL9004 OR P33) UNLESS OTHERWISE NOTED ON THE PLANS.
5. SUPPORTING SCHOOL ZONE SIGNAGE SHALL BE INSTALLED ALONG THE ROADWAY CORRIDOR INCLUDING SCHOOL ZONE SIGN (S1-1) WITH SCHOOL PLAQUE (S4-3P) AND END SCHOOL ZONE SIGN (S5-2), IN ACCORDANCE WITH THE MUTCD.
6. THE SCHOOL ZONE FLASHING BEACON SIGN BASE AND FOUNDATION SHALL BE LOCATED SO THAT 4' MINIMUM CLEARANCE IS MAINTAINED FOR THE PEDESTRIAN ACCESS ROUTE.



TYPICAL SCHOOL ZONE FLASHING BEACON ASSEMBLY

DRAWING NUMBER	SL-151-1
SCALE	NONE
REVISION DATE	12/22
DEPARTMENT	TRANS