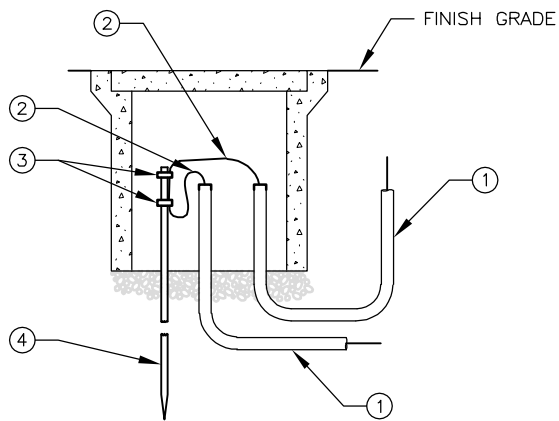


CABINET GROUND DETAIL

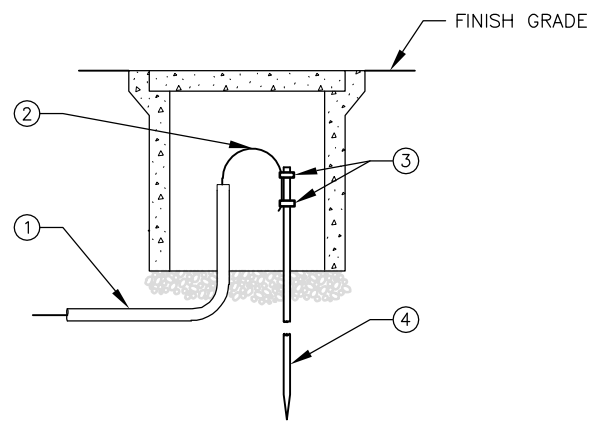
SCHEDULE	
①	1 INCH PVC CONDUIT
②	#4 COPPER GROUNDING CONDUCTOR
③	GROUNDING CONNECTORS
④	GROUND ROD A MINIMUM OF 8 FOOT LONG AND A MINIMUM 5/8" INCH DIAMETER

NOTE:

FOR RETROFIT APPLICATION, GROUND RODS MUST BE INSTALLED UNTIL THE RESISTANCE READING OF THE TOTAL CONNECTED GROUND ROD SYSTEM IS 25 OHMS OR LESS. GROUND WELLS CAN BE INSTALLED IN EARTH OR CONCRETE.



PRIMARY GROUND WELL



SUPPLEMENTAL GROUND WELL



SERVICE CABINET GROUNDING DETAIL

DRAWING NUMBER	SL-213-1
SCALE	NONE
REVISION DATE	12/22
DEPARTMENT	TRANS