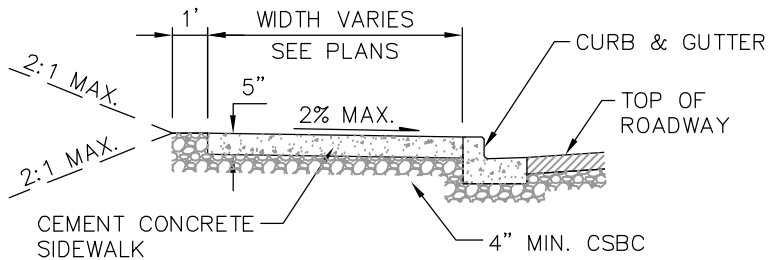
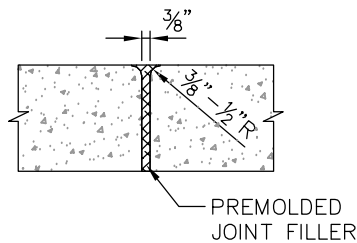


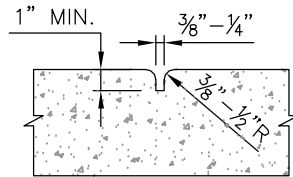
PLAN - CURBSIDE SIDEWALK



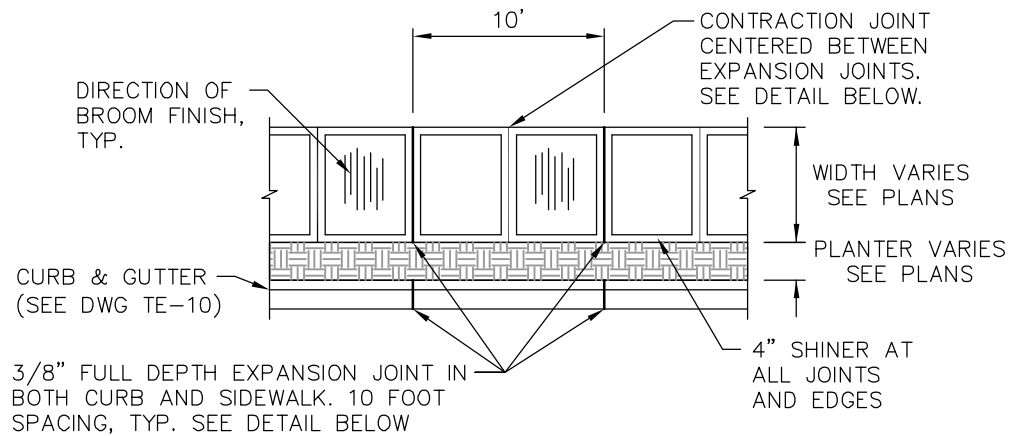
SECTION - CURBSIDE SIDEWALK



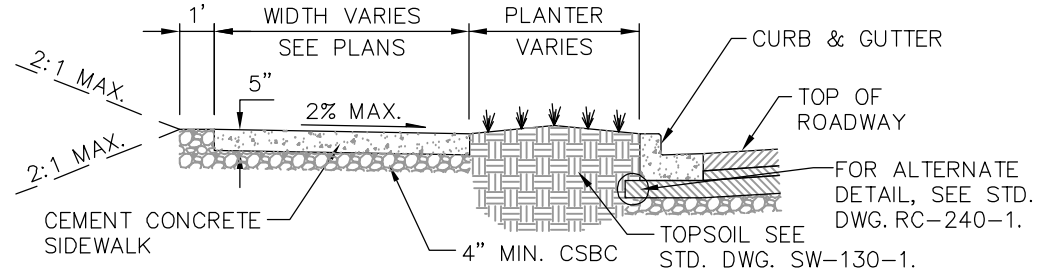
FULL DEPTH EXPANSION JOINT DETAIL



CONTRACTION JOINT DETAIL



PLAN - SIDEWALK WITH PLANTER STRIP



SECTION - SIDEWALK WITH PLANTER STRIP

NOTES:

1. CONCRETE SHALL BE AIR ENTRAINED CLASS 3000 PER SECTION 6-02 OF WSDOT STANDARD SPECIFICATIONS.
2. FINISH: LIGHT FINISH WITH A STIFF BROOM PERPENDICULAR TO CURB. FOR GRADES OVER 4%, FINISH WITH A STIPPLE BRUSH.
3. REMOVAL/REPLACEMENT OF CEMENT CONCRETE CURB AND SIDEWALK SHALL BE FROM EXPANSION JOINT TO EXPANSION JOINT UNLESS OTHERWISE DIRECTED BY THE ENGINEER.
4. LIDS FOR JUNCTION BOXES AND UTILITY VAULTS SHALL BE NON-SKID AS SPECIFIED BY THE ENGINEER. SEE DESIGN STANDARD 14.E.

DRAWING NUMBER	SW-110-1
SCALE	NONE
REVISION DATE	2/22
DEPARTMENT	TRANS