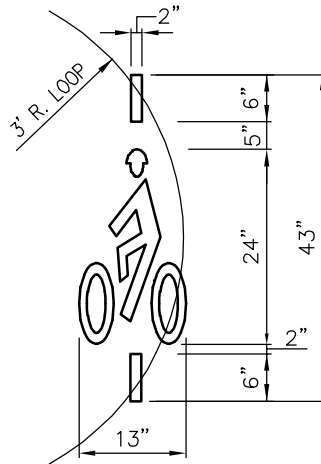


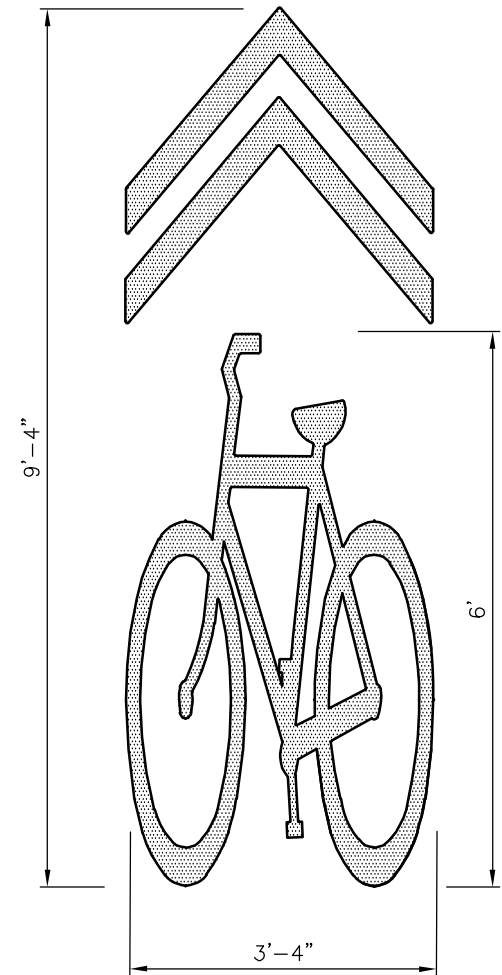
**BICYCLE LANE SYMBOL**



**BICYCLE DETECTOR MARKING**

**NOTES:**

1. BICYCLE LANE SYMBOL AND BICYCLE DETECTOR MARKING SHALL BE LOW PROFILE PREFORMED THERMOPLASTIC (90 MIL.). SHARED LANE SYMBOL SHALL BE 125 MIL.
2. BICYCLE MARKINGS SHALL ALWAYS FACE LEFT AND HAVE A HELMET.
3. ANY ADJUSTMENTS TO DIMENSIONS SHALL BE APPROVED IN ADVANCE BY THE ENGINEER.



**SHARED LANE SYMBOL**



City of  
Bellevue

**BICYCLE FACILITY MARKINGS**

DRAWING NUMBER	CH-270-1
SCALE	NONE
REVISION DATE	2/22
DEPARTMENT	TRANS