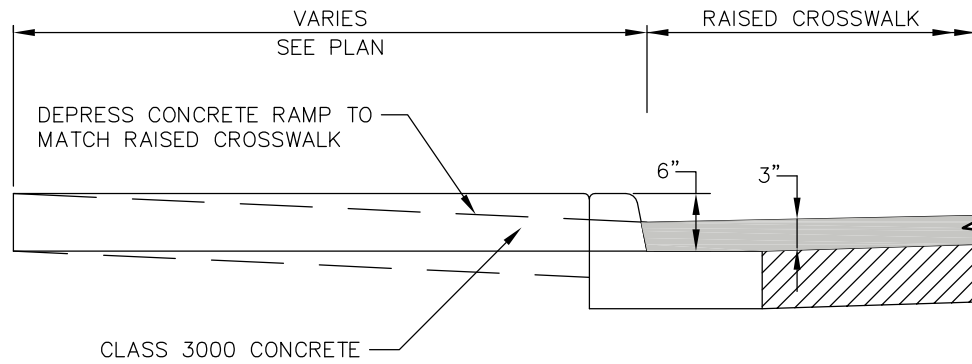


**MODIFIED PERPENDICULAR CURB RAMP**



**SECTION A-A**



**RAISED CROSSWALK  
WITH PERPENDICULAR CURB RAMP**

DRAWING NUMBER	CW-130-1
SCALE	NONE
REVISION DATE	1/18
DEPARTMENT	TRANS