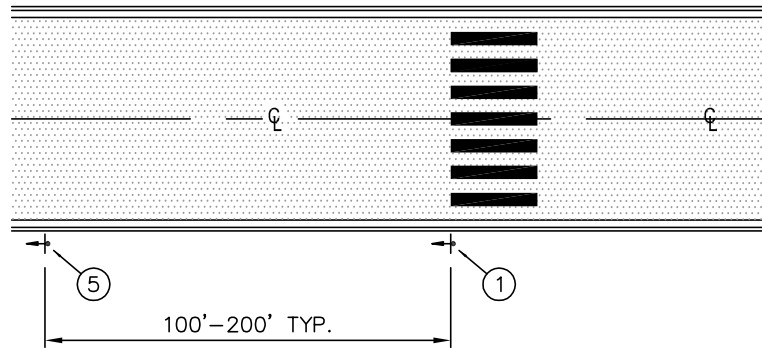
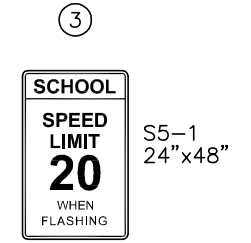
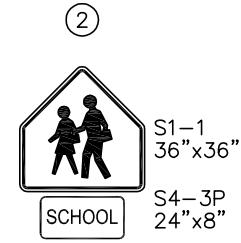
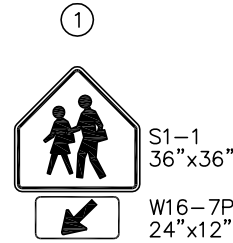


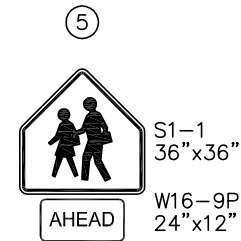
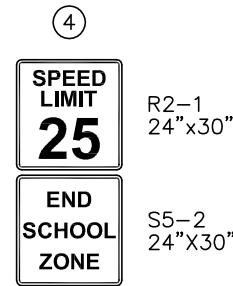
WITHIN SCHOOL ZONE



OUTSIDE SCHOOL ZONE



(SEE NOTE 3)



NOTES:

- SIGN COMBINATIONS ①, ②, ⑤, THE "SCHOOL" LEGEND ON SIGN ③ AND ANY ADDITIONAL PLAQUES SHALL BE FLUORESCENT YELLOW-GREEN WITH BLACK LEGEND AND BORDER.
- SEE STD. DWG. CW-100-1 FOR CROSSWALK MARKINGS.
- IN SCHOOL SPEED ZONES WITHOUT FLASHING BEACONS, USE BOTTOM MESSAGE "WHEN CHILDREN ARE PRESENT" OR AS DIRECTED BY THE ENGINEER.
- IF ROADWAY BORDERS A SCHOOL, THIS DISTANCE MAY INCREASE AS PER RCW 46.61.440.



AT GRADE SCHOOL CROSSWALK SIGNING

DRAWING NUMBER	CW-170-1
SCALE	NONE
REVISION DATE	12/16
DEPARTMENT	TRANS