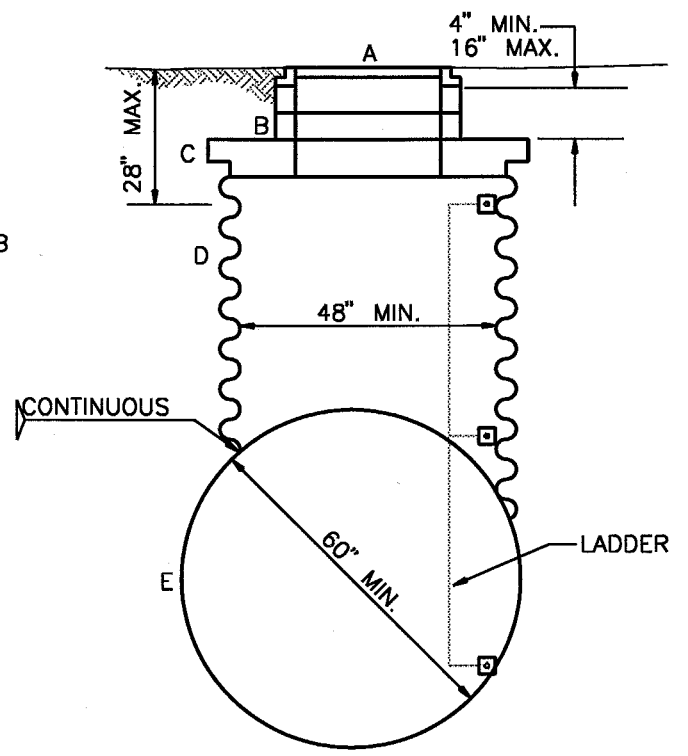


CONCENTRIC ELEVATION



ECCENTRIC SECTION

LEGEND

- A BOLT LOCKING MANHOLE RING AND COVER
- B CONCRETE GRADE RINGS AS NEEDED TO MATCH FINISHED GRADE
- C CONCRETE TOP SLAB FOR TYPE 2 CATCH BASIN
- D CMP RISER: 10 GAUGE HELICAL OR ANNULAR CORRUGATED METAL PIPE, DIAMETER TO MATCH DETENTION PIPE.
- E CORRUGATED METAL STUBS AND DETENTION PIPE TO BE SAME GAUGE. STUB LENGTHS TO BE 12" MIN.
- F OPTIONAL CAST-IN-PLACE CONCRETE BOTTOM, 6" THICK WITH #4 BARS AT 12" O.C.
- G STEEL BOTTOM: 8 GAUGE BOTTOM PLATE WELDED TO RISER

NOTES

1. ALL METAL PARTS AND SURFACES MUST BE MADE OF CORROSION RESISTANT MATERIAL OR ASPHALT COATED TREATMENT #1 GALVANIZED. COMPLETE CORROSION MUST BE ASSURED.
2. NOT FOR USE IN ROADWAYS, DRIVEWAYS, AND OTHER HIGH TRAFFIC AREAS



**City of
Bellevue**

SURFACE WATER UTILITY

TITLE

CORRUGATED METAL MANHOLE