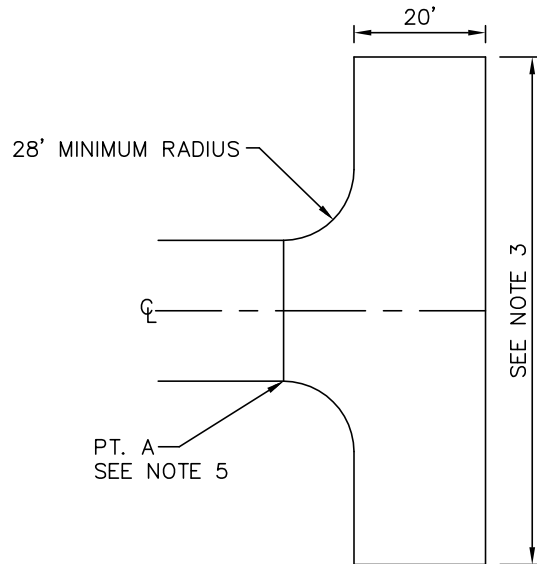
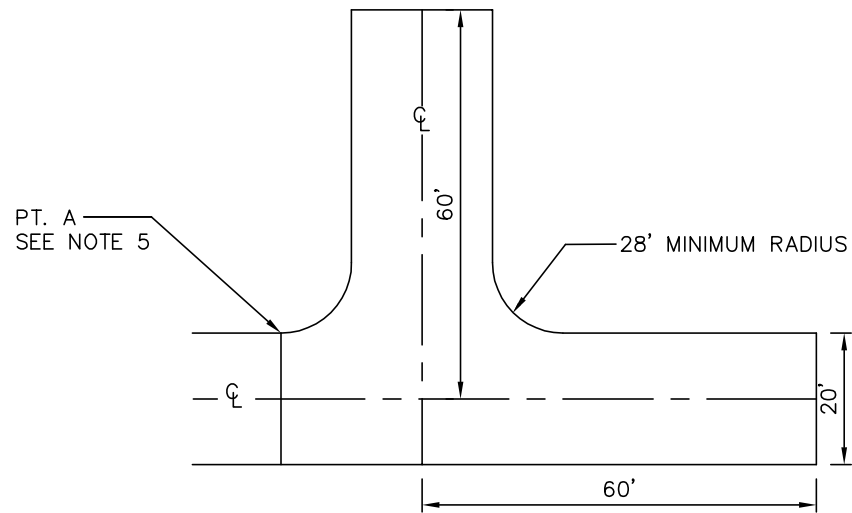


CIRCULAR TURNAROUND



HAMMERHEAD



OFFSET HAMMERHEAD

NOTES:

1. LANDSCAPED ISLAND WITH VERTICAL CURB AT CENTER OF CIRCULAR TURNAROUND IS REQUIRED.
2. CIRCULAR TURNAROUNDS SHALL BE PLACED WITHIN A 50' MINIMUM RIGHT-OF-WAY RADIUS. SIDEWALKS AND UTILITIES MAY BE PLACED WITHIN A PUBLIC EASEMENT AT THE DISCRETION OF THE REVIEW ENGINEER.
3. HAMMERHEAD WIDTH MAY RANGE FROM 90' TO 120' DEPENDING UPON ROAD LENGTH. A WIDTH LESS THAN 120' IS ALLOWED ONLY IF ALL HOMES SERVED BY THE HAMMERHEAD ARE SPRINKLERED.
4. TURNAROUND FACILITIES CANNOT BE LOCATED ON DRIVEWAYS.
5. POINT A (LOCATED AT THE START OF RADIUS) REPRESENTS THE MEASURED END OF THE STREET/ROAD LENGTH AS REFERENCED IN 14.60.170 (STREET ENDS).
6. ALL STREET ENDS SHALL BE SIGNED PER THE MUTCD.
7. ALTERNATIVE STREET END DESIGNS MAY BE ALLOWED SUBJECT TO REVIEW AND APPROVAL OF THE ENGINEER AND THE FIRE MARSHALL.



TURNAROUND FACILITIES

DRAWING NUMBER	RC-130-1
SCALE	NONE
REVISION DATE	12/16
DEPARTMENT	TRANS