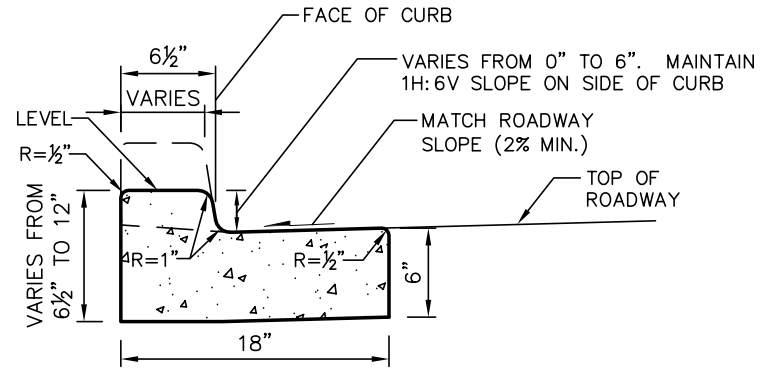
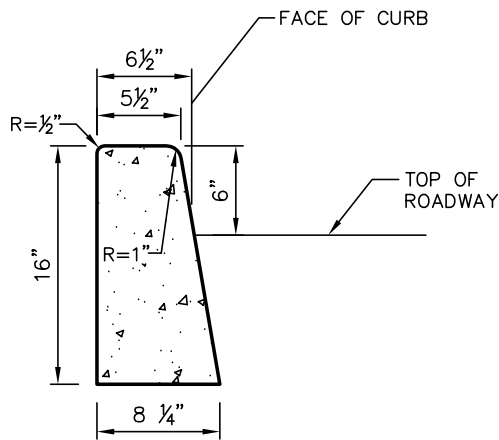


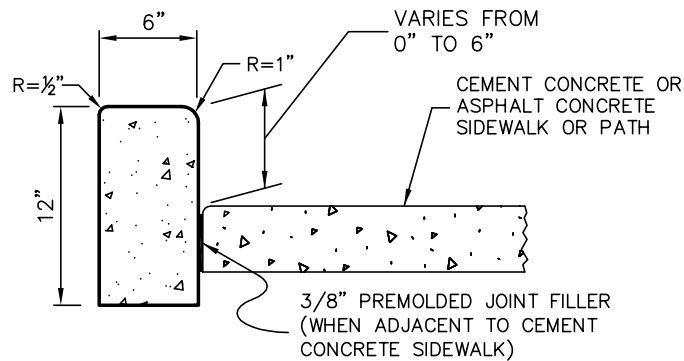
**CEMENT CONCRETE
TRAFFIC CURB AND GUTTER**



DEPRESSED CURB SECTION



**CEMENT CONCRETE TRAFFIC
CURB**



**CEMENT CONCRETE
PEDESTRIAN CURB**

NOTES:

1. ALL CEMENT CONCRETE CURBS SHALL BE CONSTRUCTED WITH AIR ENTRAINED CONCRETE CLASS 3000 CONFORMING TO WSDOT STD. SPEC. 6-02 EXCEPT AS SPECIFIED IN NOTE 2.
2. CEMENT CONCRETE CURB OR CURB AND GUTTER ALONG THE FULL WIDTH OF A DRIVEWAY ENTRANCE SHALL BE CONSTRUCTED WITH AIR ENTRAINED CONCRETE CLASS 4000 CONFORMING TO WSDOT STD. SPEC. 6-02.
3. REMOVAL/REPLACEMENT OF CEMENT CONCRETE CURB SHALL BE FROM EXPANSION JOINT TO EXPANSION JOINT UNLESS OTHERWISE DIRECTED BY THE ENGINEER.

DRAWING NUMBER	SW-100-1
SCALE	NONE
REVISION DATE	12/16
DEPARTMENT	TRANS