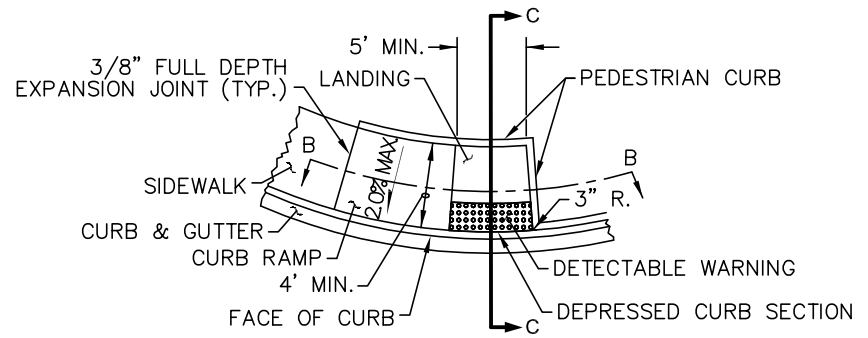
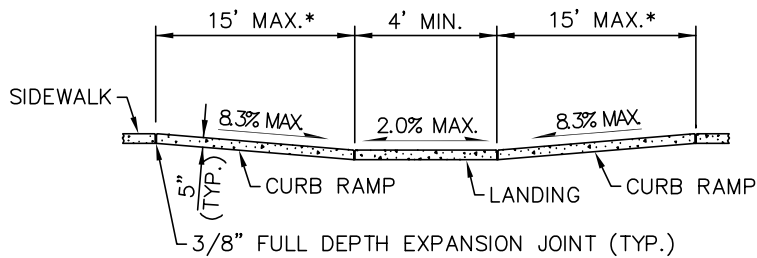


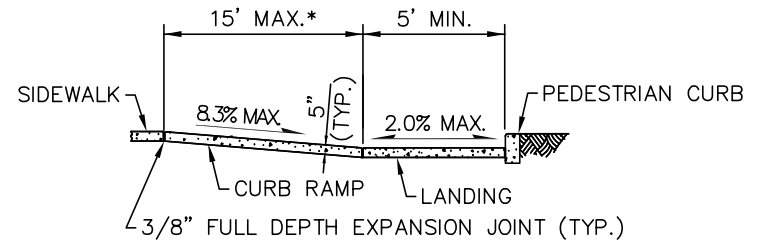
**CURB RAMP TYPE PARALLEL A**



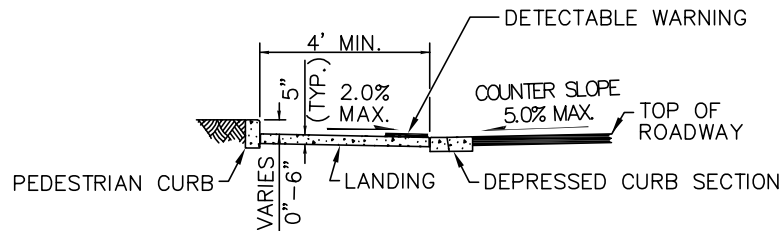
**CURB RAMP TYPE PARALLEL B**



**SECTION A-A**



**SECTION B-B**



**SECTION C-C**

\*RUNNING SLOPE OF THE CURB RAMP SHALL BE 8.3% MAXIMUM BUT SHALL NOT REQUIRE THE RAMP LENGTH TO EXCEED 15 FT. AS MEASURED RADIALLY AT BACK OF RAMP.

**LEGEND**

——— SLOPE IN EITHER DIRECTION

NOTE: SEE SW-200-1 FOR CURB RAMP CONSTRUCTION NOTES



**PARALLEL CEMENT CONCRETE CURB RAMP (TYPE 2)**

DRAWING NUMBER	SW-210-1
SCALE	NONE
REVISION DATE	12/16
DEPARTMENT	TRANS